

# ES-PDS-ES32F0654-V1.1

---

V1.1

---

## Table of contents

---

Sheet 1: Project overview (this page)

Sheet 2: ES-PDS-ES32F0654-V1.1

## Revision History

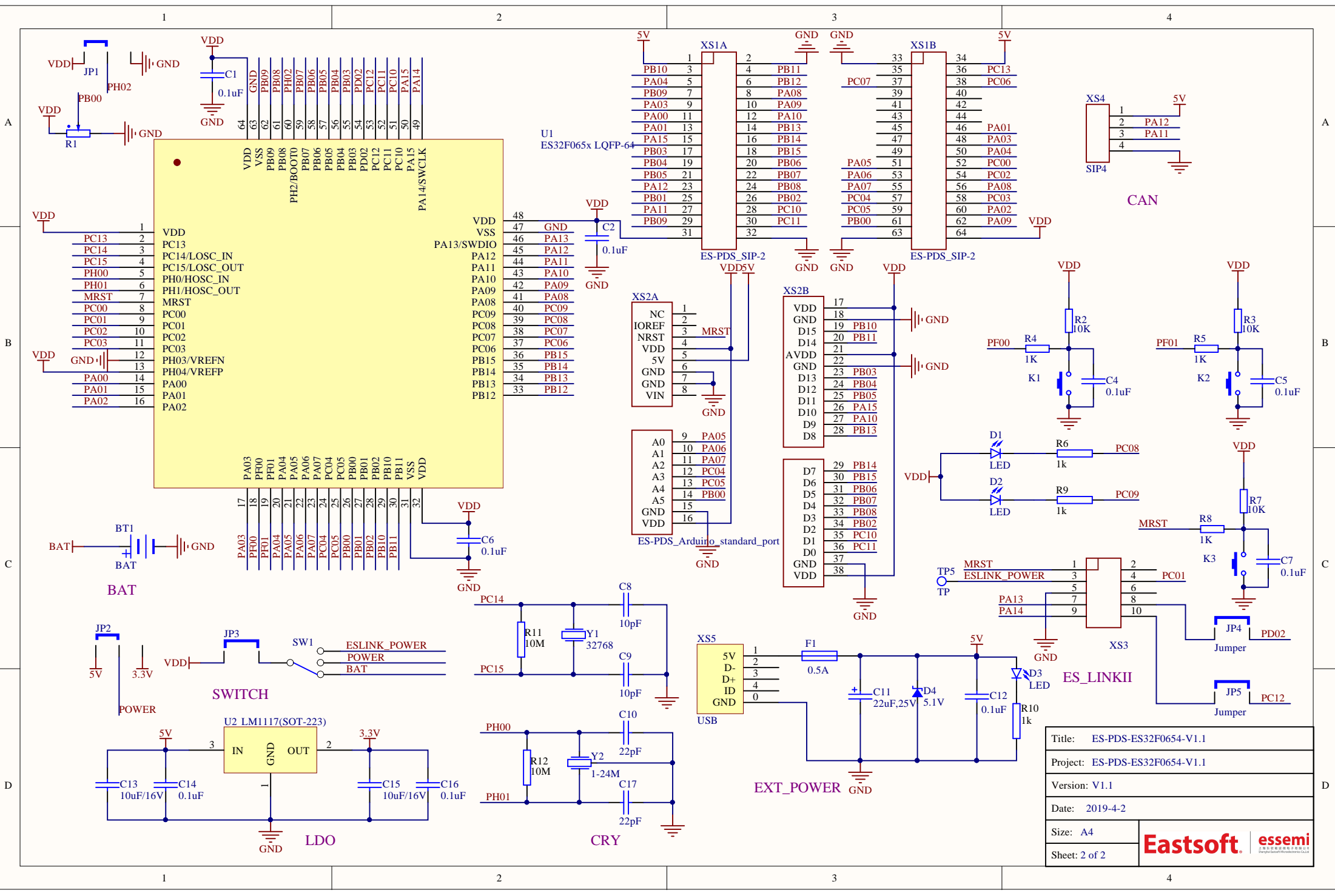
---

V1.0	2019-1-4	First Edition
V1.1	2019-4-2	Adding the RX and TX jumpers

U\_ES-PDS-ES32F0654-V1  
ES-PDS-ES32F0654-V1.1.SchDoc



Title: PROJECTOVERVIEW	
Project: ES-PDS-ES32F0654-V1.1	
Version: V1.1	
Date: 2019-4-2	
Size: A4	<b>Eastsoft.</b>   <b>essemi</b> <small>ESSEMICONDUCTOR CO., LTD.</small>
Sheet: 1 of 2	



Title: ES-PDS-ES32F0654-V1.1	
Project: ES-PDS-ES32F0654-V1.1	
Version: V1.1	
Date: 2019-4-2	
Size: A4	
Sheet: 2 of 2	