

# ES-PDS-ES32F3696LX-V1.1.PrjPcb

---

## Table of Contents

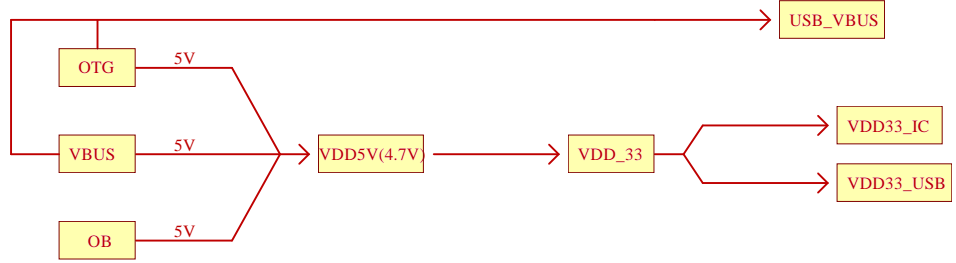
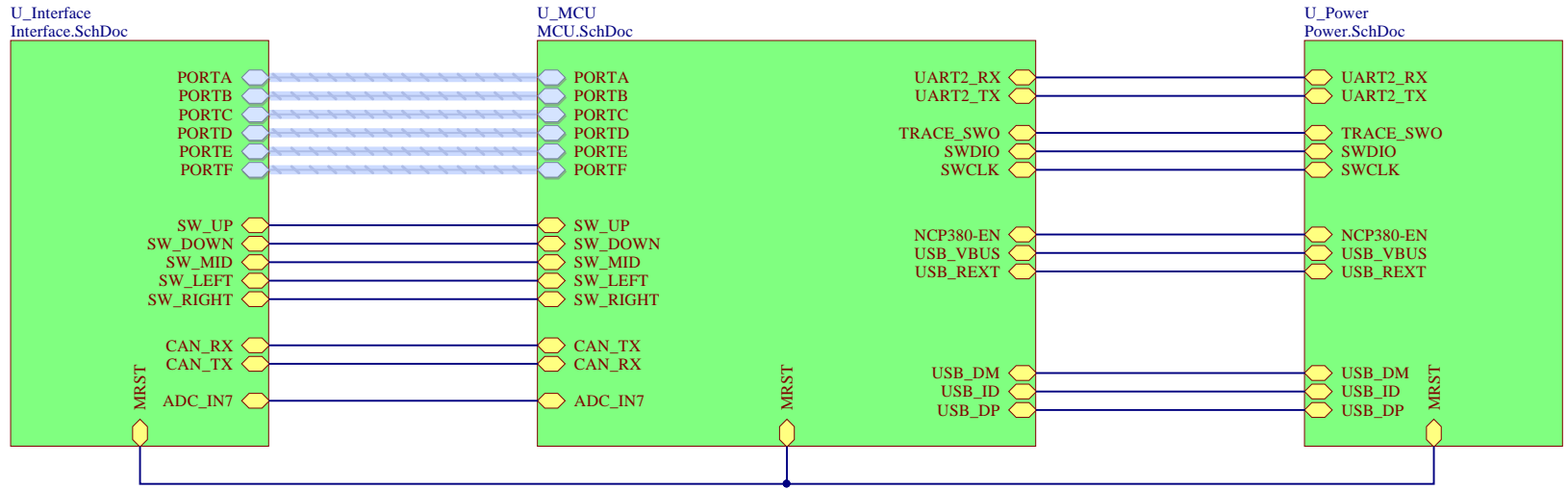
---

Sheet1: Cover(This Page)

Sheet2: ES-PDS-ES32F3696LX-V1.1.PrjPcb

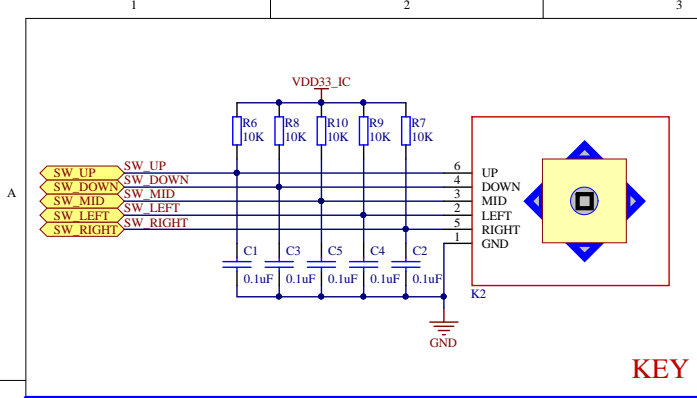
**Eastsoft**®

**essemi**  
上海东软载波微电子有限公司

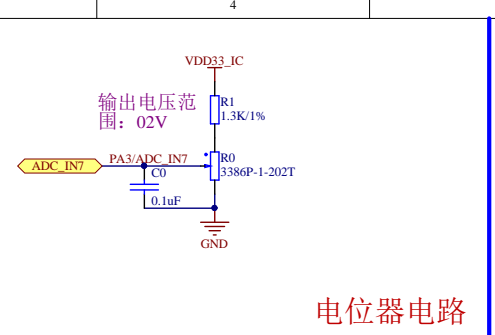


Power

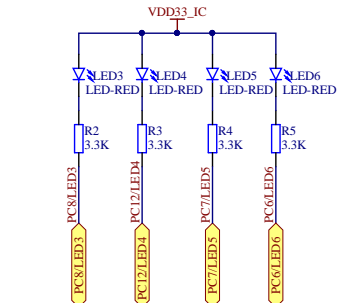
Title: ES-PDS-ES32F3696LX-V1.1	
Project: ES-PDS-ES32F3696LX-V1.1.PrjPcb	
Version: V1.1	
Date: 2022/06/07	
Size: Size	<b>Eastsoft</b>   <b>essemi</b>
Sheet: 2 of 5	



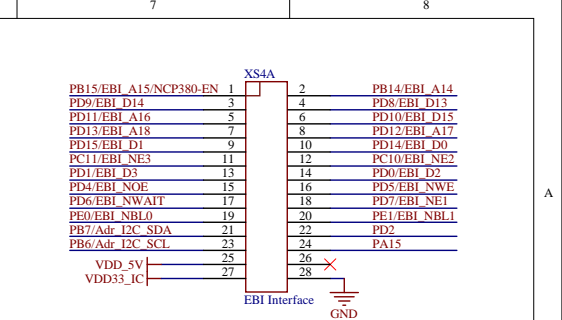
KEY



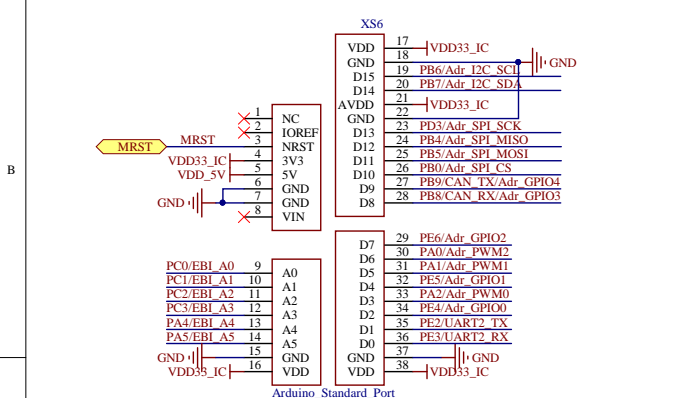
电位器电路



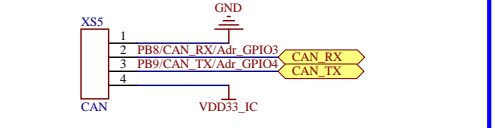
LED



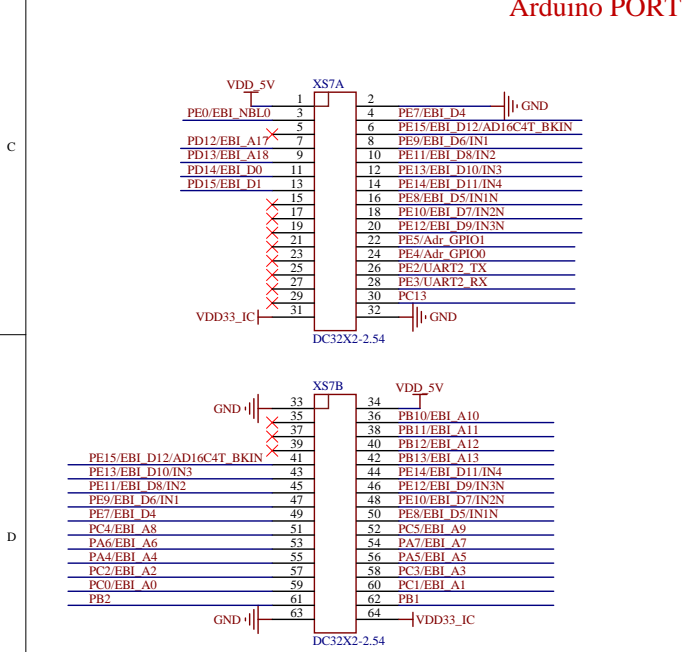
EBI Interface



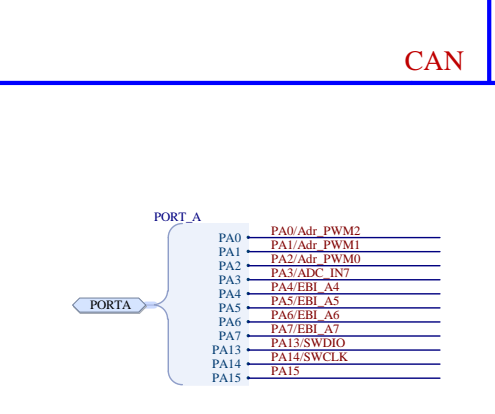
Arduino PORT



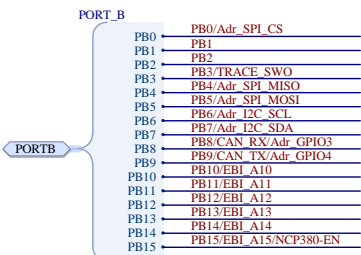
CAN



Motor Control PORT

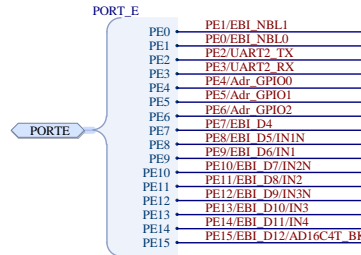


PORTA



PORTC

PORTD

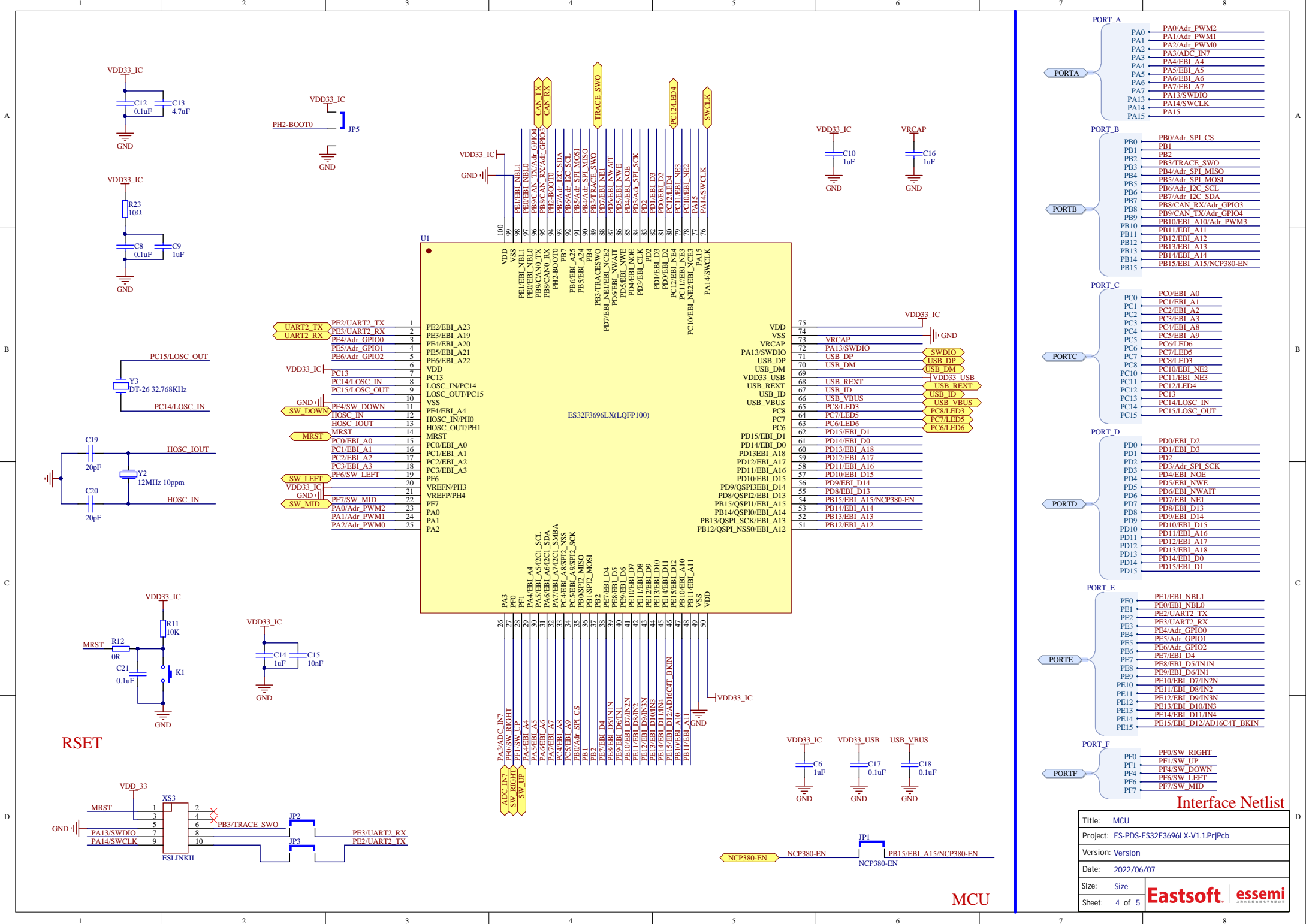


PORTF

Interface Netlist

Title:	Interface
Project:	ES-PDS-ES32F369LX-V1.1.PrfPcb
Version:	Version
Date:	2022/06/07
Size:	Size
Sheet:	3 of 5



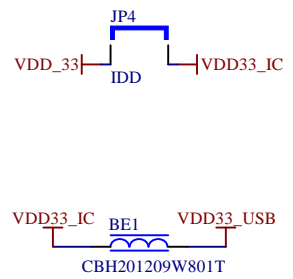
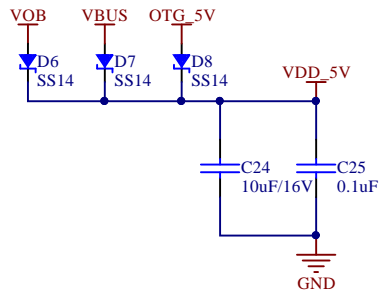


Title:	MCU
Project:	ES-PDS-ES32F3696LX-V1.1.PrcjPcb
Version:	Version
Date:	2022/06/07
Size:	Size
Sheet:	4 of 5

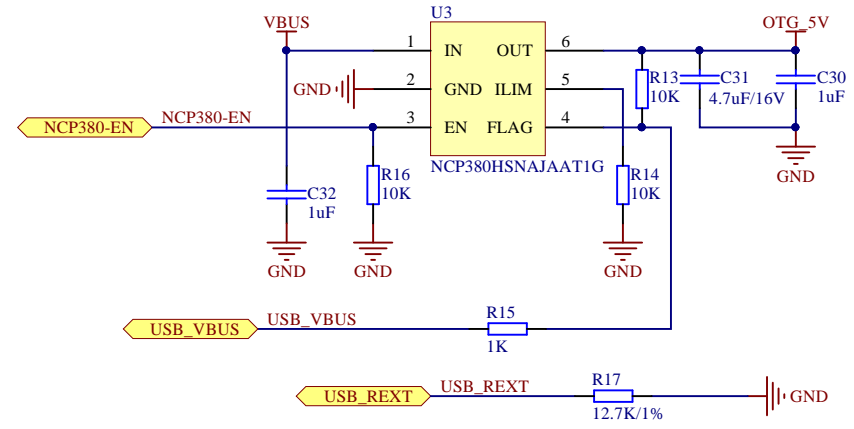
**Interface Netlist**

MCU

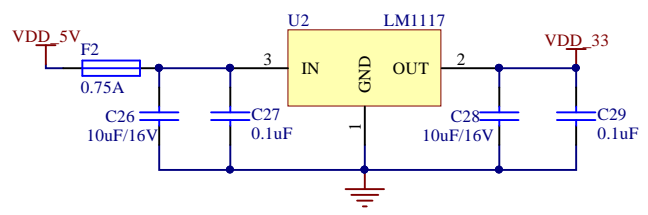




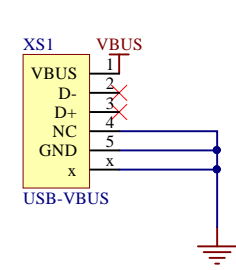
Power\_Switch



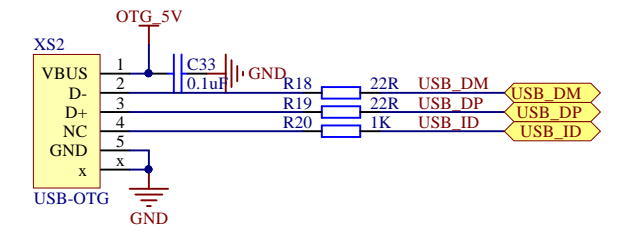
OTG\_Power\_Switch



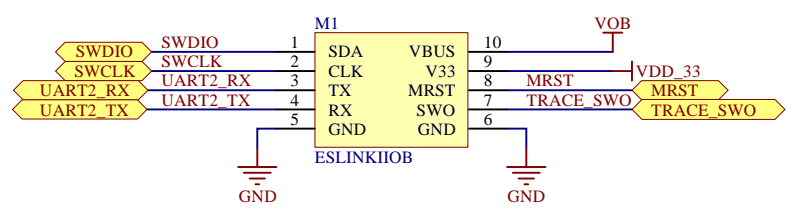
LDO



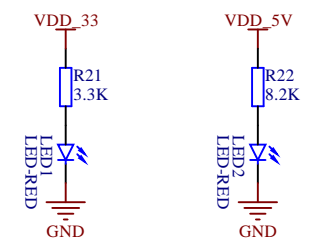
Micro-USB



USB-OTG



DAP-Link



Power\_LED

Title: Power	
Project: ES-PDS-ES32F3696LX-V1.1.PrjPcb	
Version: Version	
Date: 2022/06/07	
Size: Size	<b>Eastsoft</b>   <b>essemi</b>
Sheet: 5 of 5	